

From Earth to Space: A First Deployment of 5G Core Network on Satellite

Ruolin Xing¹, Xiao Ma¹, Ao Zhou¹, Schahram Dustdar², Shanguang Wang^{1,*}

¹ State Key Laboratory of Networking and Switching Technology, Beijing University of Posts and Telecommunications, Beijing 100876, China

² Distributed Systems Group, TU Wien, 1040 Vienna, Austria

* The corresponding author, email: sgwang@bupt.edu.cn

Cite as: R. Xing, X. Ma, *et al.*, "From earth to space: A first deployment of 5g core network on satellite," *China Communications*, vol. 20, no. 4, pp. 315-325, 2023. **DOI:** 10.23919/JCC.2023.00.001

Abstract: Recent developments in the aerospace industry have led to a dramatic reduction in the manufacturing and launch costs of low Earth orbit satellites. The new trend enables the paradigm shift of satellite-terrestrial integrated networks with global coverage. In particular, the integration of 5G communication systems and satellites has the potential to restructure next-generation mobile networks. By leveraging the network function virtualization and network slicing, the satellite 5G core networks will facilitate the coordination and management of network functions in satellite-terrestrial integrated networks. We are the first to deploy a 5G core network on a real-world satellite to investigate its feasibility. We conducted experiments to validate the satellite 5G core network functions. The validated procedures include registration and session setup procedures. The results show that the satellite 5G core network can function normally and generate correct signaling.

Keywords: 5G core network; satellite communications; satellite Internet

I. INTRODUCTION

Traditional terrestrial communication systems have flourished in many ways. Especially, the 5G networks

have enabled much higher data rate, ultra low latency, and massive network capacity [1]. However, there are still some inherent disadvantages that are difficult to resolve [2]. Mobile networks have poor coverage in remote areas. They suffer long-distance transmission delays. Besides, vulnerability to natural disasters makes terrestrial communication systems unavailable in extreme cases. Meanwhile, the advancements in aerospace technology have brought the satellite industry a resurgence, from serving vertical fields to providing more universal services. Previously, operators provided limited communication services to dedicated users through geostationary satellites. Recent projects like Starlink have used low Earth orbit (LEO) constellations to deliver global broadband Internet access. The urgent needs and the rapid developments boost the integration of satellites and 5G systems. In addition, the significance of incorporating satellites is not merely enhancing terrestrial networks. The dominant class of services is content delivering, which takes about 90% of the total traffic in telecommunication networks. The satellites will have better cost effectiveness in broadcasting/multicasting connectivity and makes the services more convenient.

There have been numerous efforts devoted to the integration of 5G and satellites [3, 4]. The 3rd generation partnership project (3GPP) initiated activities towards non-terrestrial networks that study the role of satellites in 5G and acknowledge long-term research within B5G

Received: Jul. 01, 2022

Revised: Oct. 08, 2022

Editor: Lidong Zhu

and 6G [5–7]. Besides, prior works [8, 9] investigated the standardization of non-terrestrial networks. Reference [10] further summarized the networking challenges for non-terrestrial networks in the 5G ecosystem. Studies [11, 12] focused on the satellites which were used as a complement for radio access networks in 5G communication systems. Technology companies like Lync, Omnispace, Vulcan Wireless, Lockheed Martin, and AST SpaceMobile have already combined 5G and satellite to enable direct connections between user equipment and satellites. While researchers explored the advantages brought by the satellites being a part of transmission networks [13, 14]. In addition, satellite networks can bring extra use cases for the 5G network slicing, which has been studied in [15, 16].

5G core networks have evolved into software-defined communication systems based on virtualization technology [1]. With the explosive growth in scale and business, the management, operation, and maintenance of satellite networks will be more complex. Benefited from software-defined networking and network function virtualization, 5G core networks can achieve distributed deployment and elastic scaling [17]. Migrating some functions of 5G core networks to satellites can connect users and data networks more flexibly. With these techniques, 5G core networks have the potential to be used to implement a satellite-terrestrial integrated network [12]. There are also studies on the role of core networks in the 6G era [18–20]. Some core network functions can be moved onboard to gain more flexibility and efficiency [21]. Satellite core networks may suffer from signaling storms and the data session migrations. To address these challenges, [22] has proposed a prototype of satellite core networks, which adopted a stateless design.

This paper aims to study the convergence of satellites and 5G core networks. In this direction, we introduce the motivations for deploying the 5G core network functions onto satellites. Next, we provide an overview of the capabilities with satellite 5G core networks. We then propose an architecture of a satellite-terrestrial integrated network. The architecture shows the advantages of the satellite 5G core network. Finally, we present the deployment and experiment procedures of the satellite 5G core network. It is the first attempt to setup a satellite-terrestrial integrated network with the 5G core network deployed on a real-world satellite.

II. MOTIVATIONS

2.1 Main Aspects

2.1.1 Demand Perspective

The costs of launching and manufacturing satellites continue to decrease. The LEO constellations are expected to expand exponentially in the near future [23]. Onboard computing, communication, and storage resources will also usher in a period of explosive growth. Based on that, deploying core networks on satellites becomes practical. Meanwhile, traditional satellite services like remote sensing, navigation, and communications have great needs for computing power. The demand for in-orbit computing will drive the deployment of additional satellite services. With satellite 5G core networks, mobile users can access the satellite services more conveniently.

2.1.2 Performance Perspective

The terrestrial mobile core networks tend to sink to the edge. The purpose is to reduce the transmission delay and improve the quality of user experience. The satellite core networks will benefit from the low-latency and wide-coverage links of LEO satellites. The terrestrial fiber paths are generally long-winded, in which the light travels at roughly $2c/3$ [24]. While most of LEO satellites are orbiting at 500km to 1,000km above the Earth's surface. Previous study [25] showed that the LEO satellite constellation can achieve a 50% improvement in latency over today's terrestrial networks. For typical end-to-end connections, even the relatively small constellation can (almost always) achieve latencies better than the best possible with fiber. Thus, the satellite core networks can get a considerable performance gain compared to the terrestrial ones. Additionally, satellite core networks eliminate unnecessary backhauling which takes a large fraction of the network latency. As a result, satellite core networks will reduce the control plane signaling interaction delay and speed up the user access procedures.

2.1.3 Functional Perspective

According to the 3GPP technical report, satellites will have base station functions and be a part of access networks [6, 26]. Access networks rely on core networks to provide mobility management, session man-

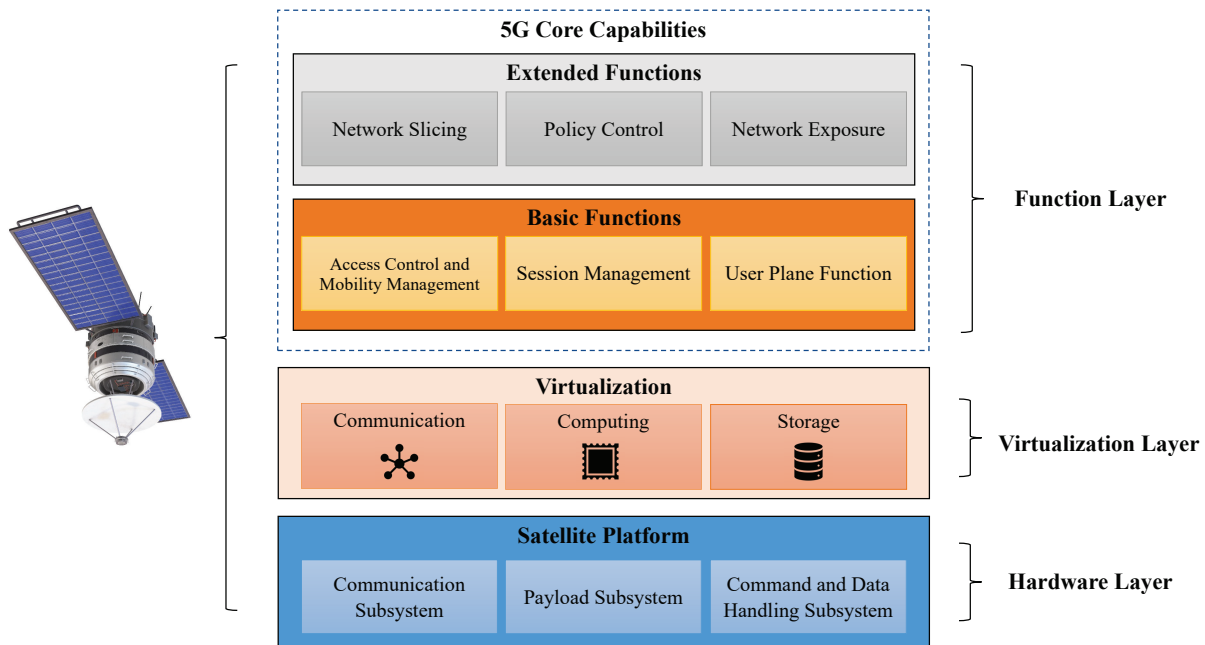


Figure 1. The capability structure of satellite 5G core networks.

agement, and other functions. Based on that, the satellite 5G core networks can benefit in two ways. Firstly, the satellite 5G core networks will make users be able to get the satellite services without backhauling. Secondly, the satellites with base station can be managed more conveniently by the satellite core networks. Due to the continuous change in relative position of LEO satellites, the connections between satellites and ground stations are usually unavailable. It means that satellites are out of the control of the terrestrial core networks most of the time. Satellite core networks can integrate with future access networks which are made up of large-scale LEO satellite constellations.

2.2 Use Cases

2.2.1 Orbital Edge Computing

Edge computing on LEO satellites is gaining popularity recently [23, 27]. Traditional satellites generally adopt the bent-pipe architecture which does no modifications to the downloaded data. The alternative is using the onboard payloads to do specific processing tasks. Typical applications include remote sensing, in-orbit AI inferencing, and space storage. The satellite core network can help to realize in-orbit edge computing services for mobile users. Additionally, the inter-satellite

links (ISLs) can reduce the dependence of constellations on ground stations. Co-orbiting satellites can achieve large-scale and uninterrupted services through collaboration. Deploying satellite core networks in such constellations can ensure higher availability of edge computing services.

2.2.2 Emergency Communication

The satellite 5G core network provides a better option for emergency communications. On the one hand, satellite communication can solve the problem of emergency communication when the ground infrastructure is damaged. The main benefits of satellite communication are wide coverage and large transmission capacity. when an emergency occurs, the satellite can act as a base station and core network facility to route traffic to any data network. On the other hand, the deployment of satellite core networks can be regarded as an upgrade of satellite communication capabilities. The original remote sensing and experimental satellites will be transformed into satellites with emergency communication capabilities after the deployment.

III. OVERVIEW OF THE SATELLITE 5G CORE NETWORK

The renaissance of satellite networks began with reduced launch costs and pipe-lined satellite production. Large-scale commercial deployment of satellite 5G core networks will soon be possible due to the growing resources of communication, computing, and storage. To further illustrate what a full-fledged satellite 5G core network can bring, it is necessary to clarify its functionalities of different parts. This section provides an overview of satellite 5G core network capabilities from different layers. Figure 1 shows the structure of a typical satellite 5G core network and reflects the organization of this section. The satellite 5G core network capabilities are shown in the dashed box. The solid line box named virtualization is an independent level abstracted directly on the hardware platform to provide support for functions in satellite core networks.

3.1 Satellite Platform

A complete satellite platform consists of several subsystems. These systems coordinate among one another to execute space missions. Common subsystems include the electrical power system, the attitude and orbit control system, the communication system, the payload system, and the command and data handing system.

The subsystems manage different aspects of the satellite platform, which may be related to the satellite 5G core networks. The communication subsystem can setup wireless links to transmit data or commands. The data transmission links typically have higher bandwidth in the downlink. Thus, the user plane of satellite core networks should consider corresponding design. The payload system manages the elements that produce mission data and then relays the data back to the Earth. The satellite 5G core networks can be deployed in the payload subsystem.

The command and data handing system deals with telemetry and telecommand. It provides a communication channel between the spacecraft and the ground operators. On the uplink, it receives and decodes all telecommand data from the communications system. These commands are then sent to the appropriate subsystem or executed directly. On the downlink, it collects the telemetry from payloads or other subsystems, and multiplexes the data into frames for later transmission. The operations toward satellite 5G core networks are executed by the command and data handing system.

Satellite platforms also have further influences on

the satellite core networks. Firstly, the radio frequency bands of satellites are scarce resources. As the frequency goes higher, the antenna size becomes smaller. However, smaller antenna can be affected more easily by adverse weather conditions. For satellite communications, frequency bands between 1-50 GHz which include L, S, C, X, Ku, K, Ka, and Q/V bands are heavily used currently. To increase the link throughput, researchers are considering implementing terahertz and optical bands in future satellite communications [28].

Secondly, the enhanced onboard processing capability makes satellite systems more intelligent. This evolution mainly involves signal processing and packet processing. The signal processing can help effective beam switching among satellite beams. It allows satellites to provide more flexible wireless resource management, which enables fine-grained policy and quality of service control. The packet processing can enable packet switching on satellite systems to support constellation-wide networking.

3.2 Virtualization

By leveraging the virtualization technology, software-defined wireless networks are becoming universal standards. The satellite industry is also embracing this new trend. Recently, the first programmable telecommunications satellite, Eutelsat Quantum [29] was launched successfully. Traditional satellite networks use dedicated hardware to transmit and process data, making networks hard to manage and scale. With the advancements in edge computing [30], the virtualization technology can be applied to resource-constrained devices. Thus, it is now applicable to tackle this problem by developing software and hardware integrated platforms on satellites and operating on the virtualized resources directly.

On one hand, the heterogeneity of satellite resources makes it difficult to effectively use and flexibly manage and control them. The virtualization layer provides a logic encapsulation on top of the underlying heterogeneous communication, computing, and storage resources. This allows satellite developers to conveniently call basic functions through the interfaces provided by the virtualization layer. On the other hand, the highly dynamic user demands and limited resources increase the complexity of operating satellite communication networks. It is necessary to fully unleash the

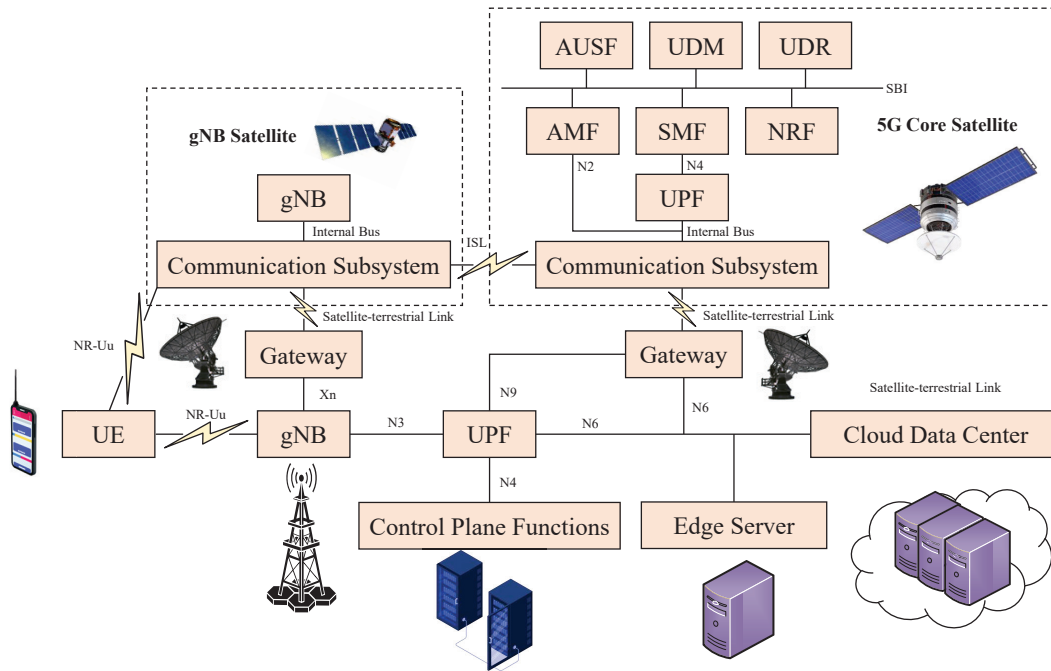


Figure 2. The architecture of a typical satellite-terrestrial integrated network with satellite 5G core networks.

potential of virtualization to achieve agile control, flexible management, and reduction of maintenance costs.

As Figure 1 shows, the virtualization layer serves as the foundation for other functionalities of satellite 5G core networks. Based on that, different layers of the integrated network can utilize virtual resources at varying degrees. For instance, the virtualization process is supposed to cover the full end-to-end data paths including access networks, transmission networks, and core networks. Based on that, slicing for the integrated network and dynamic resource assignment can be realized.

Software defined networking and network function virtualization are two key enablers of satellite 5G core networks [31]. They also play an important part in the virtualization of satellite networks. Network function virtualization builds the programmable data plane, and provides basic networking capabilities. The control plane follows the general rules of software defined networking. But the control logic can be distributed to fit the highly dynamic characteristics of satellites. The upper management plane should be cloud-native to make full use of scarce resources on satellites. It can also use serverless and make services with the granularity of functions to eliminate redundancy.

3.3 Basic Satellite 5G Core Network Functions

Software defined networking separates the network into the data plane and the control plane. The control plane is centralized, which allows networks to be controlled much more easily than their traditional distributed counterparts. The basic satellite 5G core network functions include a complete set to setup data paths from mobile users to data networks inspired by software defined networking. These functions are the minimal requirements to execute the user registration and session management procedures. The three key functions are: the access control and mobility management function (AMF), the session management function (SMF), and the user plane function (UPF). There are also other imperative network functions such as functions for authentication and data persistence. The orbital network functions behave differently compared to the terrestrial network functions.

The UPF represents the data plane evolution of the control and user plane separation strategy. It acts as the interconnect point between the mobile infrastructure and the data network. What's more, it's the session anchor point for providing mobility within and between different radio access technologies. Onboard UPF can

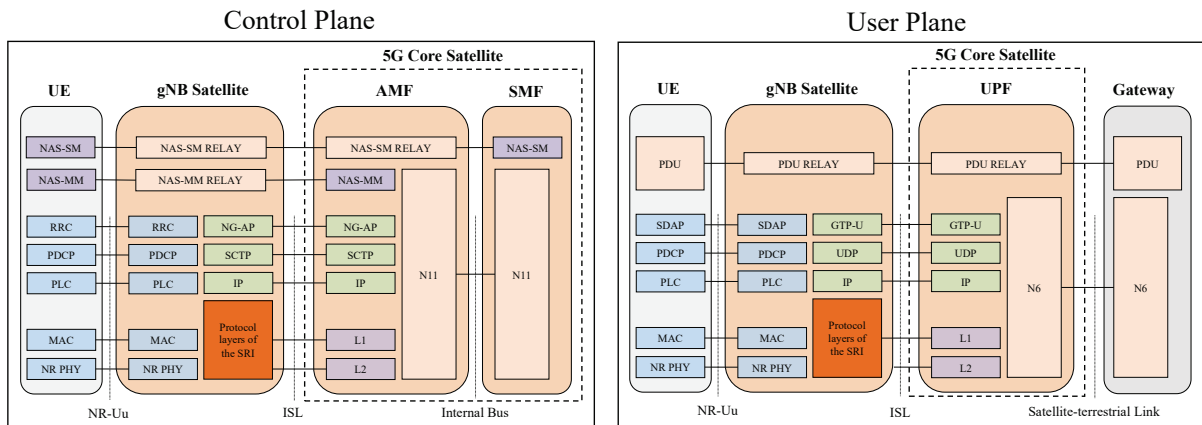


Figure 3. The protocol stacks of the satellite 5G core network in both the control plane and user plane.

handle the packet routing and forwarding. For instance, it can perform the role of an uplink classifier which splits the traffic into different data networks. One of the use case is conducting the user traffic to the onboard services.

The relatively high-speed movement between satellites and user terminals brings new challenges. If the onboard AMF adopts the mobility management as terrestrial networks, the movement will cause signaling storms and trigger frequent registrations. In [22], a state-function-location decoupling approach is proposed to renovate AMF. This design further eliminates the needs of mobility management for the onboard AMFs. Thus, the AMFs are no longer the mobility anchors for the users. The users deal with their own mobility. The inherent challenge is how to properly handle the infrastructure mobility of the onboard AMF. Novel handover and registration mechanisms are the key for solving this problem.

Establishing connections toward data networks is one of the basic capabilities of the satellite core network. The session management function needs to consider the requirements from users, networks, and services. Due to the highly dynamic topology and randomly fluctuating load nature of satellites, one of the challenges is how to plan and manage reliable data paths for user sessions. In addition to the data connectivity, it should also accommodate satellite-specific business scenarios.

3.4 Extended Satellite 5G Core Network Functions

While the basic 5G network functions aim to establish connections, the extended satellite 5G core network functions are for more advanced features. These features include providing differentiated capabilities for end users and business scenarios. The virtualization technology supports implementing these advanced features. It provides standard interfaces for upper layers to manipulate the resources in a programmable way. Thus, satellites can have a certain degree of versatility and provide multiple services by using the same underlying hardware.

The policy control function is based on the quality of service (QoS) guarantee over satellite-terrestrial integrated networks. The QoS guarantee is about providing differentiated data forwarding treatment for different users, applications, and services. By integrating business requirements of satellites and QoS capabilities, policy control can better ensure the stability and continuity of services. The guarantee of specific data flows will become a key issue for the onboard policy control, such as supporting the intelligent remote sensing or the content delivery traffic in the same time.

Network slicing is the key technology for future satellite service provisioning. Through the end-to-end division, networks can be customized to support dedicated services. Network slicing can help assign network slices for long-distance transmission, broadcast communications, or other specific scenarios in satellite networks. However, network slices must hold with mobility of satellites. Given that the satellite network infrastructure is highly dynamic yet predictable, we may sustain the network slices by maintaining the vir-

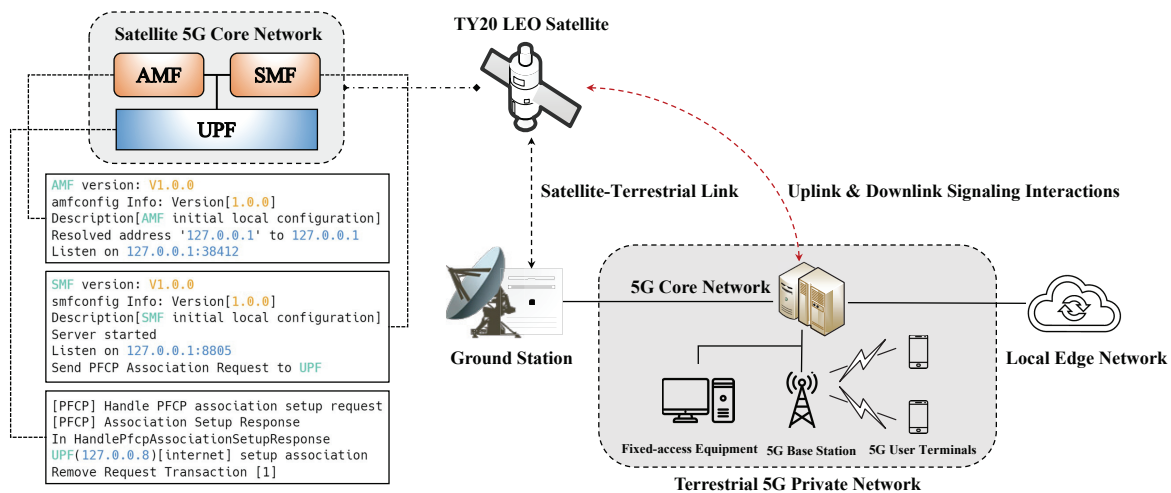


Figure 4. The deployment of the satellite 5G core network on TY20.

tual stationarity [27].

The network exposure function is for exposing the network functions and capabilities of 5G networks. Third-party enterprises can composite or customize application functions on demand. Thus, the network functions of the satellite 5G core networks can be fully reused. Considering increasing demand for satellite services, network exposure function will provide multiple solutions for different types of satellite services.

IV. SYSTEM DESIGN

Studies of 3GPP on non-terrestrial networks define two architectures by payload type: transparent payload and regenerative payload [32]. If the payload is transparent, satellites will serve as repeaters that relay the signal between the user equipment and base stations. Satellites with regenerative payloads can regenerate signals received from the earth. The signal regeneration is supported by the onboard processing capability, which further makes gNB satellites and ISLs applicable.

The 3GPP standardization activities provide basic reference for the system design. Besides, the future network demands should also be considered. For future space-air-ground integrated networks, radio access networks are expected to have a massive development by incorporating ships, high-altitude platforms, and satellites as new access methods [26]. To realize ubiquitous access, some functionalities of satellite core networks have to be split and sink to the edge to meet

the requirements of time-sensitive control, autonomous management, and convenient capability exposure.

In Figure 2, 5G core networks are deployed both on satellites and a terrestrial data center. The radio links are marked with yellow lightning. The communication subsystems can support the ISLs and the satellite-terrestrial links. Due to the space limitation, please refer to [32] for the explanation of abbreviations. The architecture doesn't imply a specific deployment. For instance, the gNB functions may be deployed with the core network functions in a same satellite. By decoupling the control plane and user plane, the 5G core networks support flexible deployment. Thus, they are independent of which orbit they are in. For instance, the 5G core deployed on LEO satellites can provide mobility management and access control, as well as simple orchestration on routing and session management. The 5G core deployed on geostationary satellites may offer service registration and discovery for constellation-wide service coordination. Figure 3 shows protocol stacks of the satellite 5G core network when a user accesses through the base station on satellites. The dotted box marks the part of satellite core networks. Due to the space limitation, please refer to [32] for the explanation of abbreviations. In addition, the actual interface between protocol stacks may vary under different deployment scenarios.

Satellites have limited resources and high power consumption. The satellite 5G core network will consume higher computing power if the number of users in-

creases. We investigate the network function pruning to reduce functional redundancy and improve efficiency. The satellite 5G core network adopts the service-based architecture for the control plane. In a 5G core network, the smallest invocable unit is the network function service. The actual functions are implemented by operations inside the network function services. This design is convenient to ensure the relatively stable business logic of the terrestrial core network. But it is not conducive to reusing the underlying functions, which will result in redundant calls between many processes. Because of scarce onboard resources and an uncertain link environment, adopting this design will make it more difficult to guarantee the availability of satellite core network services. In essence, network function pruning of the satellite core network consists of two steps. The first is to explore the logic issues associated with the minimal system procedures of satellite core networks. And business-oriented network services are created on that basis. In this way, the satellite core network function streamlining can be realized.

The architecture proposed here also paves the way for future research on B5G and 6G core networks. In our previous work [33], we have two assumptions. The first is that the 6G core network control plane would get closer to the edge to improve performance. The second is that the monolithic core network would be parted into the cloud core network and edge core network. Edge core is an autonomous network that has self-contained capabilities to deliver services and can also coordinate with other networks. The cloud core doesn't have to be full-fledged and directly connects to base stations. It's an operation and management center that organizes the edge cores to behave correctly and efficiently. There are no specific restrictions on the deployment of edge cores and cloud cores. Generally, edge cores are deployed close to various kinds of radio access networks. Cloud cores are deployed at where the cost of computing power is low.

V. SYSTEM VALIDATION

To verify the feasibility of satellite 5G core networks, we develop a lightweight satellite 5G core network. We deploy it on an in-orbit satellite, TY20. In the experiment, we use the data transmission function in X band for the downlink and telecommand in U/V band for the uplink. Furthermore, we coordinate the satellite

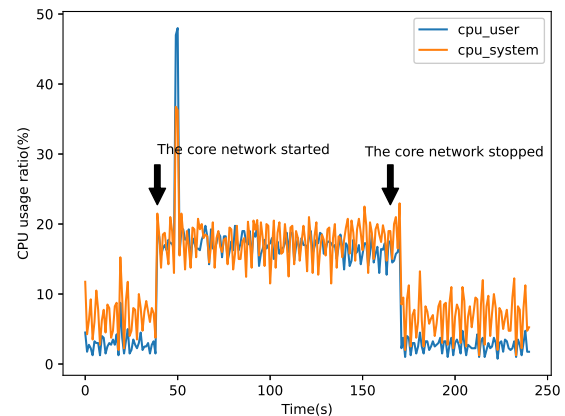


Figure 5. The CPU usage of the onboard payload.

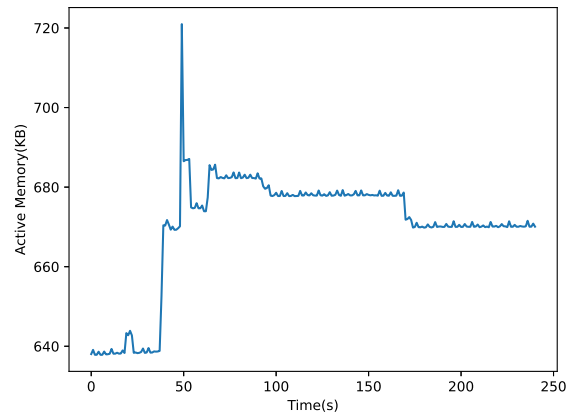


Figure 6. The active memory of the onboard payload.

core network with a terrestrial 5G private network to test the integration of control [34]. The architecture is shown in Figure 4. In this figure, we show the log files of the satellite 5G core network. The lightweight 5G core is implemented in C and made up of three network functions: AMF, SMF, and UPF. Based on that, the satellite core network implements essential system procedures, including user registration and session establishment. The satellite 5G core network interacts with the terrestrial 5G private network through control plane signaling. The terrestrial 5G private network supports multiple access methods including fixed access and 5G new radio. The private network is also able to offload traffic to the local edge network.

At first, we upload the satellite 5G core network through the uplink operated at ultra high frequency. The satellite antenna receives the analog signal. The

Table 1. The measurement on QUIC procedures.

Number	Packet Type	Elapsed Time(ms)	Length(byte)
1	Initial	0	1294
2	Handshake	2.95	1294
3	Handshake	4.93	1294
4	Protected Payload	5.83	1504

baseband decodes the signal and offloads the 5G core code base to the onboard computer. The onboard computer then copy the code to a payload and executes it. The telemetry shows that the satellite 5G core network is deployed successfully on TY20. Figure 5 and figure 6 show the CPU usage and active memory change. The satellite 5G core network starts at 38s and stops at 173s. The data is collected inside the onboard payload, Raspberry Pi 3 Model B+. We use the *njmon* monitoring tool to observe the resource consumption. The system information is recorded per second. These results indicate that the satellite 5G core network takes up 16% of the CPU time and 20KB of memory. The log files shows that the three network functions work properly. The generated control plane signaling is also correct. Besides, the telemetry shows that the satellite 5G core network can process signaling and data uploaded from the terrestrial 5G private network. The control plane signaling is downloaded to the terrestrial 5G private network. Finally, the 5G private network executes local traffic offloading and conducts business tests such as video calls. In our test, we observe that the average latency of the signaling over satellite-terrestrial link is about 200ms. Considering the wide-area network latency and processing latency, the result is acceptable for applications like video streaming or web browsing. We leave more comprehensive measurement study on the effectiveness of satellite 5G core networks as the future work.

QUIC is a multiplexed and secure transport protocol based on UDP. It is considered the candidate for the transport layer protocol of the next generation core networks [21]. To evaluate its feasibility, we experiment on an in-orbit satellite, TY22. We deploy a QUIC server on one of the payloads and a QUIC client on another. The two payloads link to the internal bus. Table 1 shows elapsed time and packet length during the QUIC communication process. The QUIC connection establishment is about 4.93ms, which significantly outperforms the HTTP2 result (11.2ms on average) in our

offline experiment.

VI. CONCLUSION

5G technology and satellite systems are complementary in function and demand. The integration of the two will bring huge economic and social benefits. As the control center of 5G systems, satellite 5G core networks will play an important role in the satellite-terrestrial integrated network. This article looks forward to the cutting-edge development direction of the satellite-terrestrial integrated network. It puts forward key points and a feasible architecture for the implementation of the satellite 5G core network. Finally, we carried out the deployment and experimental verification of the satellite 5G core network on an orbiting satellite. According to the results, the satellite 5G core network can operate normally and perform the coordination between the satellite and the ground infrastructure. Our experiment also serves as a reference to future research on B5G and 6G satellite-terrestrial integrated communication networks.

ACKNOWLEDGEMENT

This work was supported by the National Key R&D Program of China (2020YFB1805500) and National Natural Science Foundation of China (61922017, 62032003 and 61921003).

References

- [1] 3GPP, *System architecture for the 5G System (5GS)*, 3rd Generation Partnership Project (3GPP) Tech. Specification 23.501, version 15.0.0. https://www.3gpp.org/ftp/Specs/archive/23_series/23.501 12 2017.
- [2] G. Giambene, S. Kota, *et al.*, "Satellite-5G integration: A network perspective," *IEEE Network*, vol. 32, no. 5, pp. 25–31, 2018.
- [3] L. Boero, R. Bruschi, *et al.*, "Satellite networking integration in the 5G ecosystem: Research trends and open challenges," *IEEE Network*, vol. 32, no. 5, pp. 9–15, 2018.
- [4] F. Völk, T. Schlichter, *et al.*, "Field trial of a 5G non-terrestrial network using openairinterface," *IEEE Open Journal of Vehicular Technology*, vol. 3, pp. 243–250, 2022.
- [5] 3GPP. 5G in Release 17 - strong radio evolution. <https://www.3gpp.org/news-events/3gpp-news/5g-in-release-17-strong-radio-evolution> (2020)
- [6] 3GPP, *Study on new radio (NR) to support non-terrestrial networks*, 3rd Generation Partnership Project (3GPP) Technical Report (TR) 38.811, version 15.4.0. https://www.3gpp.org/ftp/Specs/archive/38_series/38.811 10 2020.

- [7] X. Lin, S. Rommer, *et al.*, “5G from space: An overview of 3GPP non-terrestrial networks,” *IEEE Communications Standards Magazine*, 2021.
- [8] P. Wang, J. Zhang, *et al.*, “Convergence of satellite and terrestrial networks: A comprehensive survey,” *IEEE Access*, vol. 8, pp. 5550–5588, 2019.
- [9] O. Kodheli, E. Lagunas, *et al.*, “Satellite communications in the new space era: A survey and future challenges,” *IEEE Communications Surveys & Tutorials*, vol. 23, no. 1, pp. 70–109, 2020.
- [10] M. Bacco, F. Davoli, *et al.*, “Networking challenges for non-terrestrial networks exploitation in 5G,” in *IEEE 2nd 5G World Forum (5GWF)*, pp. 623–628, 2019.
- [11] O. Kodheli, A. Guidotti, *et al.*, “Integration of satellites in 5g through leo constellations,” in *Proceedings of IEEE Global Communications Conference (GLOBECOM)*, pp. 1–6, 2017.
- [12] R. Gopal and N. BenAmmar, “Framework for unifying 5G and next generation satellite communications,” *IEEE Network*, vol. 32, no. 5, pp. 16–24, 2018.
- [13] A. Abdelsalam, A. Bujari, *et al.*, “Implementation of virtualised network functions (VNFs) for broadband satellite networks,” in *Proceedings of European Conference on Networks and Communications (EuCNC)*, pp. 182–186, 2019.
- [14] A. Bujari, M. Luglio, *et al.*, “A virtual pep for web optimization over a satellite-terrestrial backhaul,” *IEEE Communications Magazine*, vol. 58, no. 10, pp. 42–48, 2020.
- [15] I. Bisio, F. Lavagetto, *et al.*, “Network slicing optimization for integrated 5G-satellite networks,” in *Proceedings of IEEE Global Communications Conference (GLOBECOM)*, pp. 1–6, 2019.
- [16] L. Lei, Y. Yuan, *et al.*, “Dynamic-adaptive ai solutions for network slicing management in satellite-integrated b5g systems,” *IEEE Network*, vol. 35, no. 6, pp. 91–97, 2021.
- [17] A. Gupta and R. K. Jha, “A survey of 5g network: Architecture and emerging technologies,” *IEEE Access*, vol. 3, pp. 1206–1232, 2015.
- [18] M. Giordani and M. Zorzi, “Non-terrestrial networks in the 6g era: Challenges and opportunities,” *IEEE Network*, vol. 35, no. 2, pp. 244–251, 2020.
- [19] S. Kota and G. Giambene, “6G integrated non-terrestrial networks: Emerging technologies and challenges,” in *Proceedings of IEEE International Conference on Communications (ICC) Workshops*, pp. 1–6, 2021.
- [20] X. Zhu and C. Jiang, “Integrated satellite-terrestrial networks toward 6g: Architectures, applications, and challenges,” *IEEE Internet of Things Journal*, vol. 9, no. 1, pp. 437–461, 2021.
- [21] X. Wang, T. Sun, *et al.*, “Holistic service-based architecture for space-air-ground integrated network for 5g-advanced and beyond,” *China Communications*, vol. 19, no. 1, pp. 14–28, 2022.
- [22] Y. Li, H. Li, *et al.*, “A case for stateless mobile core network functions in space,” in *ACM SIGCOMM 2022 Conference*, pp. 298–313, 2022.
- [23] B. Denby and B. Lucia, “Orbital edge computing: Nanosatellite constellations as a new class of computer system,” in *Proceedings of the 25th Architectural Support for Programming Languages and Operating Systems (ASPLOS)*, pp. 939–954, 2020.
- [24] I. N. Bozkurt, A. Aguirre, *et al.*, “Why is the internet so slow?!” in *Proceedings of the 18th International Conference on Passive and Active Measurement (PAM)*, pp. 173–187, 2017.
- [25] D. Bhattacharjee, W. Aqeel, *et al.*, “Gearing up for the 21st century space race,” in *Proceedings of the 17th ACM Workshop on Hot Topics in Networks (HotNets)*, pp. 113–119, 2018.
- [26] J. Liu, Y. Shi, *et al.*, “Space-air-ground integrated network: A survey,” *IEEE Communications Surveys & Tutorials*, vol. 20, no. 4, pp. 2714–2741, 2018.
- [27] D. Bhattacharjee, S. Kassing, *et al.*, “In-orbit computing: An outlandish thought experiment?” in *Proceedings of the 19th ACM Workshop on Hot Topics in Networks (HotNets)*, pp. 197–204, 2020.
- [28] J. Tan and L. Dai, “THz precoding for 6g: Applications, challenges, solutions, and opportunities,” *arXiv preprint*, 2020.
- [29] ESA. Reprogrammable satellite launched. [https://www.esa.int/Applications/Telecommunications_Integrated_Applications/Reprogrammable_satellite_launched\(2021\)](https://www.esa.int/Applications/Telecommunications_Integrated_Applications/Reprogrammable_satellite_launched(2021)).
- [30] Y. Mansouri and M. A. Babar, “A review of edge computing: Features and resource virtualization,” *Journal of Parallel and Distributed Computing*, vol. 150, pp. 155–183, 2021.
- [31] J. Bao, B. Zhao, *et al.*, “OpenSAN: A software-defined satellite network architecture,” *ACM SIGCOMM Computer Communication Review*, vol. 44, no. 4, pp. 347–348, 2014.
- [32] 3GPP, *Solutions for nr to support non-terrestrial networks (NTN)*, 3rd Generation Partnership Project (3GPP) Technical Report (TR) 38.821, version 16.0.0. https://www.3gpp.org/ftp/Specs/archive/38_series/38.821/01_2020.
- [33] Y. Li, J. Huang, *et al.*, “Cognitive service architecture for 6g core network,” *IEEE Transactions on Industrial Informatics*, vol. 17, no. 10, pp. 7193–7203, 2021.
- [34] S. Wang. The world’s first in-satellite 5g core network system deployment in China. [https://www.youtube.com/watch?v=xECjZ1XBdWc\(2021\)](https://www.youtube.com/watch?v=xECjZ1XBdWc(2021)).

Biographies



Ruolin Xing received the bachelor degree in electronic information science and technology at Beijing University of Posts and Telecommunications of China in 2019. He is currently working toward the Ph.D. degree in computer science and engineering with the State Key Laboratory of Networking and Switching Technology, BUPT. His research interests include 5G and 6G core network and satellite networks.



Xiao Ma received her Ph.D. degree in Department of Computer Science and Technology from Tsinghua University, Beijing, China, in 2018. She is currently a lecturer at the State Key Laboratory of Networking and Switching Technology, BUPT. From October 2016 to April 2017, she visited the Department of Electrical and Computer Engineering, University of Waterloo, Canada. Her research interests include mobile cloud computing and mobile edge computing.



Ao Zhou received her Ph.D. degree in Beijing University of Posts and Telecommunications, Beijing, China, in 2015. She is currently an Associate Professor with State Key Laboratory of Networking and Switching Technology, Beijing University of Posts and Telecommunications. She has published more than 50 research papers. She played a key role at many international conferences. Her research interests include cloud computing and mobile edge computing.



Schahram Dustdar is Full Professor of Computer Science with the Distributed Systems Group, TU Wien. He is an IEEE Fellow, an Asia-Pacific Artificial Intelligence Association (AAIA) President and Fellow, and an elected member of the Academy of Europe, where he is the Chairman of the Informatics Section. He was a recipient of the ACM Distinguished Scientist Award, ACM Speaker award, the IBM Faculty Award, and the IEEE TCSVC Outstanding Leadership Award for outstanding leadership in services computing. He is the Co-Editor-in-Chief of the ACM Transactions on Internet of Things and the Editor-in-Chief of Computing (Springer).



Shangguang Wang is a Professor at the School of Computer Science and Engineering, Beijing University of Posts and Telecommunications, China. He received his Ph.D. degree at Beijing University of Posts and Telecommunications in 2011. He has published more than 150 papers in journals such as *IEEE JASC*, *TMC*, *TSC*, and *TCC*, and conferences such as IJCAI, INFOCOM, AAAI and ICWS. His research interests include service computing, mobile edge computing, cloud computing, and satellite computing. He is currently serving as Chair of IEEE Technical Committee on Services Computing (2013-2022), and Vice-Chair of IEEE Technical Committee on Cloud Computing (2020-). He also served as General Chairs or Program Chairs of more than 10 IEEE conferences, Advisor/Associate Editors of several journals such as *Journal of Cloud Computing*, *Journal of Software: Practice and Experience*, *International Journal of Web and Grid Services*, *China Communications*, and so on. He is a senior member of the IEEE.